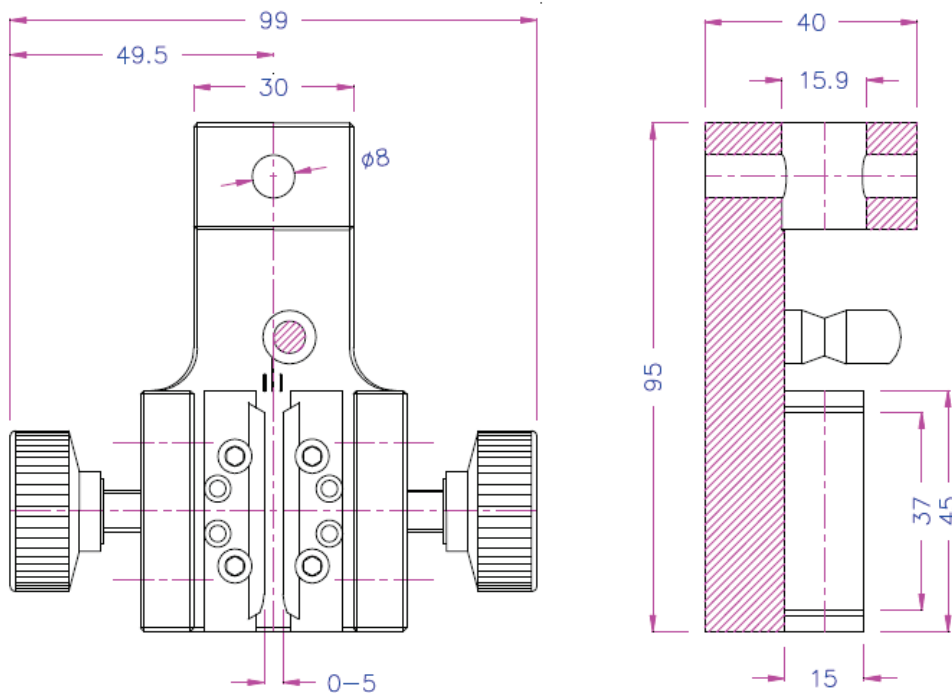


# Wire Grips

TA9

The TA9 Grips are designed for testing fine wires, thin ropes and narrow bands

	TA9
Max. load:	2.5 kN
Jaw opening:	0-5 mm (see p. 4)
Coupling:	Af159 mm or Af20 mm Further couplings on request
Weight per grip w/ jaws:	0.38 kg
Body:	Aluminum, anodized
Temperature range:	0°C ... +70° Further temperature ranges on request
Scope of delivery:	1 pair incl. carriers for insert jaws. Insert jaws must be ordered separately.

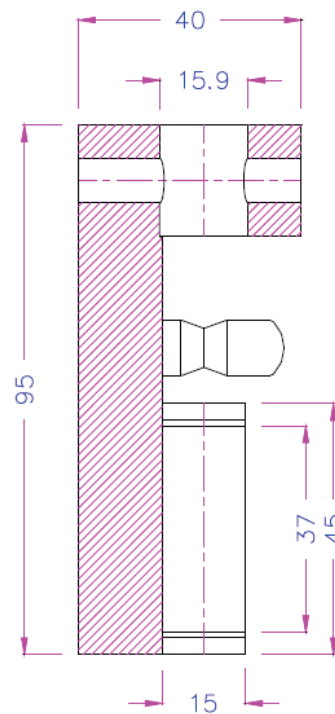
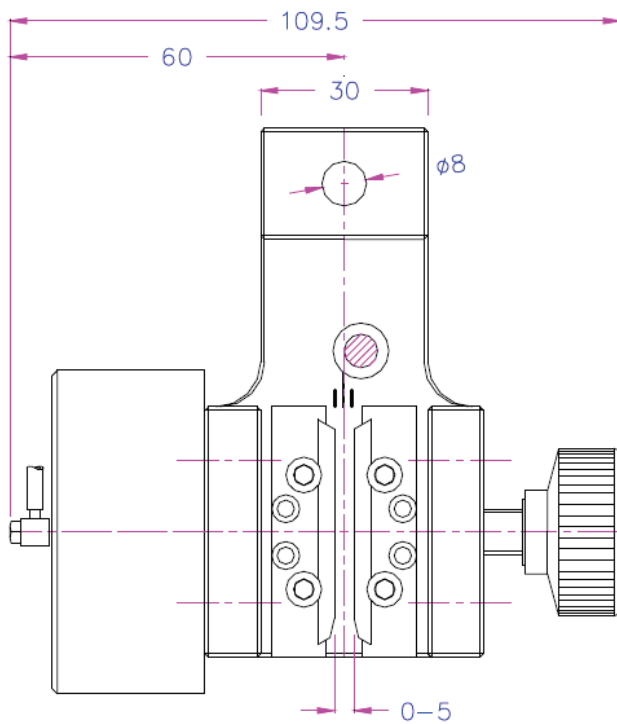


# Wire Grips

TA9

## TA9+Ko

Clamping force:	1.2 kN
Jaw opening:	0-5 mm (see p. 4)
Coupling:	Af159 mm or Af20 mm Further couplings on request
Pneumatic connection:	M5
Weight per grip w/ jaws:	0.56 kg
Body:	Aluminum, anodized
Temperature range:	0°C ... +70° Further temperature ranges on request
Scope of delivery:	1 pair incl. carriers for insert jaws. Insert jaws must be ordered separately.



**Thwing-Albert**  
Instrument Company



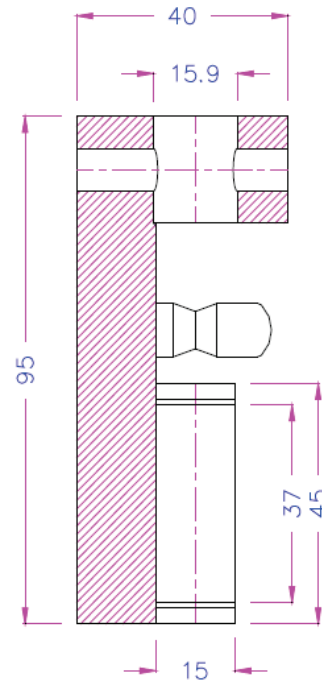
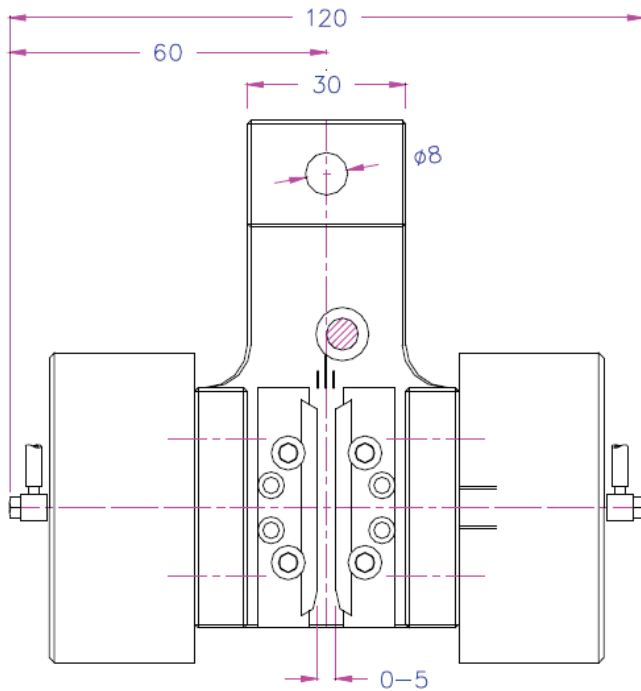
[thwingalbert.com](http://thwingalbert.com)

# Wire Grips

TA9

## TA9+2Ko

Clamping force:	1.2 kN
Jaw opening:	0-5 mm (see p. 4)
Coupling:	Af159 mm or Af20 mm Further couplings on request
Pneumatic connection:	M5
Weight per grip w/ jaws:	0.74 kg
Body:	Aluminum, anodized
Temperature range:	0°C ... +70° Further temperature ranges on request
Scope of delivery:	1 pair incl. carriers for insert jaws. Insert jaws must be ordered separately.



**Thwing-Albert**  
Instrument Company

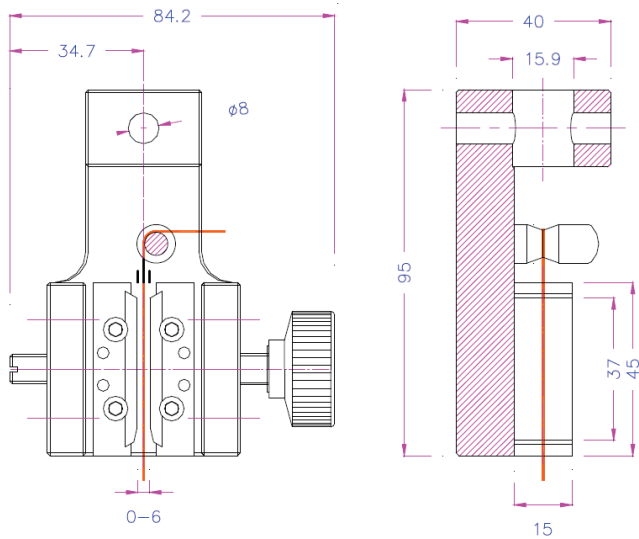


[thwingalbert.com](http://thwingalbert.com)

# Wire Grips

TA9

## TA9 with Sample



## Insert jaws for TA9

For a quick change of insert jaws, a carrier is needed (TAS9-GT). Scope of delivery: 1 set= 4 jaws

Item no.	Surface	Clamping surface (H x W)	Opening	Weight per pair
TA9-GT	Carrier for insert jaws	-	-	84 g
TA9-EB	Blank insert jaws	37x15 mm	0 – 5 mm	26 g
TA9-EBD	Diamond-coated insert jaws	37x15 mm	0 – 5 mm	26 g

Jaws faces with other dimensions and surface coatings are available on request



TA9-EB

TA9-EBD

TA9-GT

TA9-EB

TA9-EBD with carrier



**Thwing-Albert**  
Instrument Company



thwingalbert.com