

Perpendicular Tensile Strength Fixture

TA16

The TA16 Perpendicular Tensile Strength Test Fixture is designed for measuring tensile and adhesion strength normal to the specimen face according to standards like ASTM C297, ASTM D1623B, ASTM D1037, DIN 52365, EN 319, EN 1607, EN 12004.

Testing materials like sandwich and honeycomb panels & cores, rigid and semi-rigid insulation, corrugated fiberboard, foam packaging, and lightweight laminated boards.

Max. load: 20 kN

Coupling: Af159 or Af20 - Further couplings on request

Carrier and inserts: Aluminium, anodized

Cardan adapter: Steel, nickel-plated

Temperature range: 0 to +70°C

Scope of supply: 1 pair of carriers - Inserts have to be ordered separately



Item no.:	ASTM C297	ASTM D1623B	ASTM D1037	DIN 52365	EN 319	EN 1607	EN 12004	Insert block surface size:	Weight per part:
Carriers									
TA16-50			x				x		1.37 kg
TA16-50-2	x	x	x	x	x	x			1.84 kg
Insert blocks									
TA16-50-E25.4	x	x						25.4x25.4 mm	0.25 kg
TA16-50-E50				x	x	x	x	50x50 mm	0.39 kg
TA16-50-E50.8	x		x					50.8x50.8 mm	0.41 kg
TA16-50-E100						x		100x100 mm	0.84 kg

NOTE: TA16-50 carriers include (1) cardan adapter TAS327-Af159 or TAS327-Af20
TA16-50-2 carriers include (2) cardan adapters TAS327-Af159 or TAS327-Af20

Carriers



TA16-50

Insert blocks



TA16-50-E



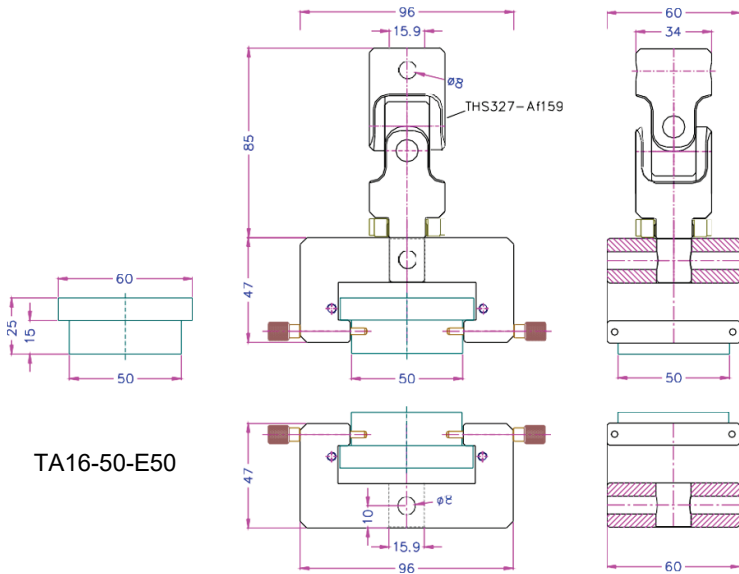
Thwing-Albert
Instrument Company



thwingalbert.com

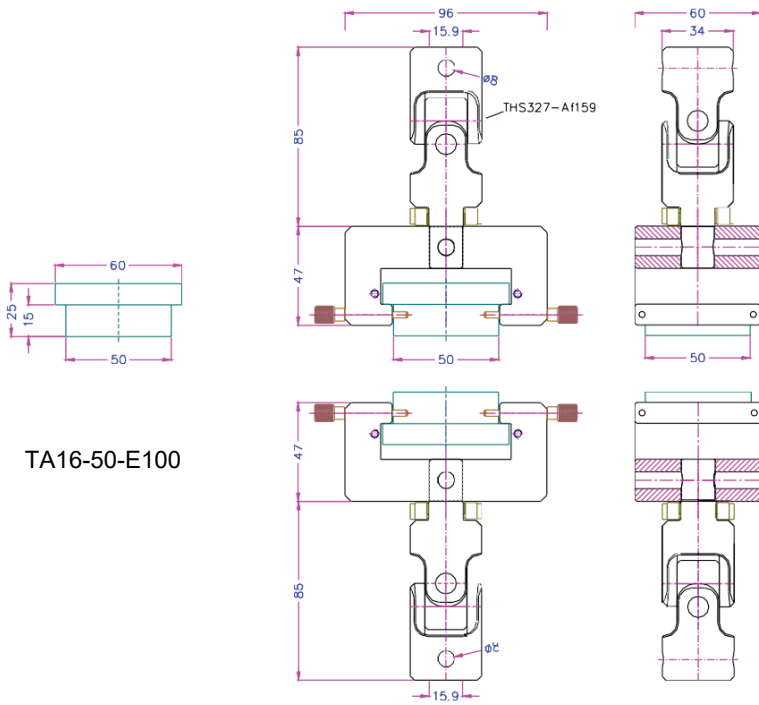
Perpendicular Tensile Strength Fixture

TA16



TA16-50-E50

TA16-50 + TA16-50-E50



TA16-50-E100

TA16-50-2 + TA16-50-E100



Thwing-Albert
Instrument Company



thwingalbert.com

Perpendicular Tensile Strength Fixture

TA16



TA16-105-Am25



TA16-252-Af318



TA16-S18-Am32 according to ASTM D143 to test small clear specimens of timber



TA16-S19-DSC



Thwing-Albert
Instrument Company



thwingalbert.com