

# Pneumatic Vise Grips

TA240g+Ko / TA240g+2Ko

## TA240g+Ko Single Pneumatic Cylinder Vise Grips TA240g+2Ko Dual Pneumatic Cylinder Vise Grips

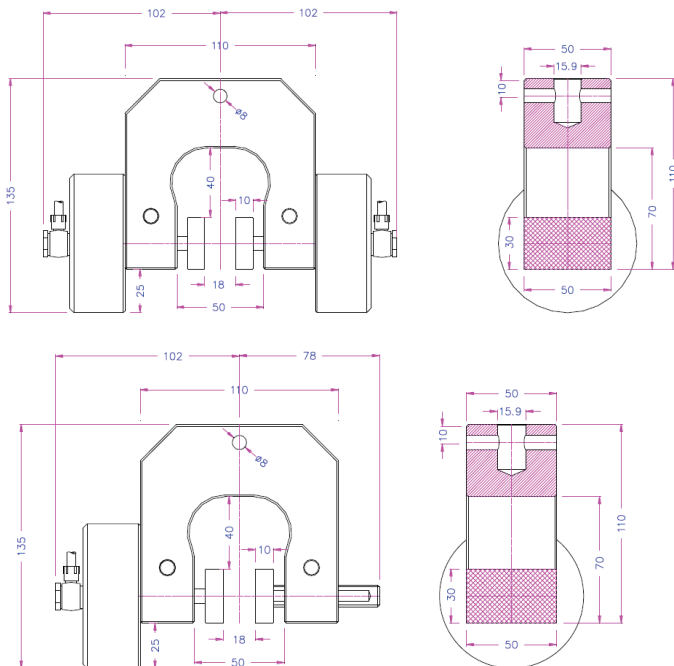
### TA240g+Ko & TA240g+2Ko

Clamping Force:	2.6 kN / 7 bar Max possible pressure 16 bar
Jaw Opening:	0-18 mm depending on jaw type
Pneumatic Cylinder:	70 mm Ø
Pneumatic Connection:	Female thread 1/8"
Body:	Anodized Aluminum
Standard Temperature Range:	0°C ... +70°C Other ranges on request
Pneumatic Connection:	female thread 1/8"
Weight per Grip (without jaws)	1.55 kg (TA240g+Ko) 1.93 kg (TA240g+2Ko)
Scope of supply:	1 pair of grips without jaws

TA240g +Ko

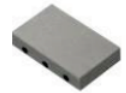


TA240g +2Ko



#### Blank jaws

- Applicable for own further treatments
- Steel blanks without coating



#### Rubber jaws

- 1 mm rubber coating (NBR)
- Nickel-plated



#### Pyramid jaws

- Pyramids 1.2x45°
- Hardened steel 58 HRC
- Nickel-plated



#### V-jaws

- For all kinds of round samples
- Tooth pitch 1 mm (BV5) or 0,8 mm (BV2)
- Hardened steel 58HRC
- Nickel-plated



#### Wave jaws

- For flexible materials
- Wave 5 mm
- Hardened steel 58HRC
- Nickel-plated



#### Diamond jaws

- Clamping surface coated with synthetic diamonds
- Nickel-plated



# Pneumatic Vise Grips

## TA240g+Ko / TA240g+2Ko

**Jaws for TA240g+Ko and TA240g+2Ko:** Scope of delivery 1 set = 4 jaws

Item no.	Surface	Clamping surface H x W	Jaw opening with rod L56.5	Jaw opening with rod L51.5*	Weight per pair
TA240g-B	Blank jaws	30x50 mm	0 - 18 mm	10 - 28 mm	0.22 kg
TA240g-BG	Rubber jaws	30x50 mm	0 - 16 mm	8 - 26 mm	0.22 kg
TA240g-BP	Pyramid jaws	30x50 mm	0 - 18 mm	10 - 28 mm	0.21 kg
TA240g-BV2	V-jaws	Height 30 mm	Ø 2 - 18 mm	Ø 12 - 28 mm	0.22 kg
TA240g-BV5	V-jaws	Height 30 mm	Ø 5 - 18 mm	Ø 15 - 28 mm	0.25 kg
TA240g-BW	Wave jaws	30x50 mm	0 - 18 mm	10 - 28 mm	0.20 kg
TA240g-BD	Diamond jaws	30x50 mm	0 - 18 mm	10 - 28 mm	0.22 kg
TA240g-B80	Blank jaws	30x80 mm	0 - 18 mm	10 - 28 mm	0.36 kg
TA240g-BG80	Rubber jaws	30x80 mm	0 - 16 mm	8 - 26 mm	0.37 kg
TA240g-BP80	Pyramid jaws	30x80 mm	0 - 18 mm	10 - 28 mm	0.34 kg
TA240g-BW80	Wave jaws	30x80 mm	0 - 18 mm	10 - 28 mm	0.33 kg
TA240g-BD80	Diamond jaws	30x80 mm	0 - 18 mm	10 - 28 mm	0.37 kg
TA240g-B100	Blank jaws	30x100 mm	0 - 20 mm	10 - 28 mm	0.46 kg
TA240g-BG100	Rubber jaws	30x100 mm	0 - 18 mm	8 - 26 mm	0.47 kg
TA240g-BP100	Pyramid jaws	30x100 mm	0 - 20 mm	10 - 28 mm	0.44 kg
TA240g-BW100	Wave jaws	30x100 mm	0 - 20 mm	10 - 28 mm	0.42 kg
TA240g-BD100	Diamond jaws	30x100 mm	0 - 20 mm	10 - 28 mm	0.46 kg

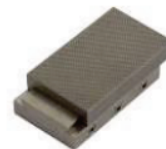
\*L51.5 rod is not included in scope of supply and must be ordered separately. Item no.: TA240g-Ko-09-L51.5.

### Insert jaws for TA240g+Ko and TA240g+2Ko

Scope of delivery 1 set = 4 jaws

Quick-change system.

Insert jaws require carriers (TA240g-GT)

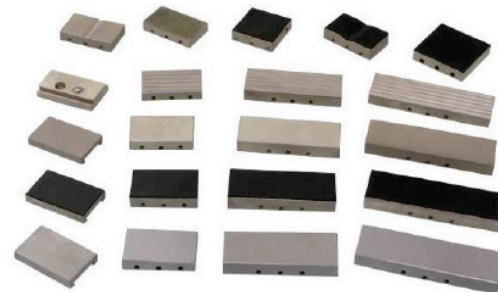


TA240g-GT+  
TA240g-EBP



TA240g-EB

Item no.	Surface	Clamping surface H x W	Opening	Weight per pair
TA240g-GT	Carrier	-	-	0.18 kg
TA240g-EB	Blank insert jaws	30 x 50 mm	0 - 14 mm	0.14 kg
TA240g-EBG	Rubber insert jaws	30 x 50 mm	0 - 12 mm	0.14 kg
TA240g-EBP	Pyramid insert jaws	30 x 50 mm	0 - 14 mm	0.13 kg
TA240g-EBV	V insert jaws	Height 30 mm	Ø 3 - 14 mm	0.13 kg
TA240g-EBW	Wave insert jaws	30 x 50 mm	0 - 14 mm	0.12 kg
TA240g-EBD	Diamond insert jaws	30 x 50 mm	0 - 14 mm	0.14 kg
TA240g-EB100	Blank insert jaws	30 x 100 mm	0 - 10 mm	0.37 kg
TA240g-EBG100	Rubber insert jaws	30 x 100 mm	0 - 8 mm	0.38 kg
TA240g-EBP100	Pyramid insert jaws	30 x 100 mm	0 - 10 mm	0.35 kg
TA240g-EBW100	Wave insert jaws	30 x 100 mm	0 - 10 mm	0.34 kg
TA240g-EBD100	Diamond insert jaws	30 x 100 mm	0 - 10 mm	0.38 kg



**Thwing-Albert**  
Instrument Company



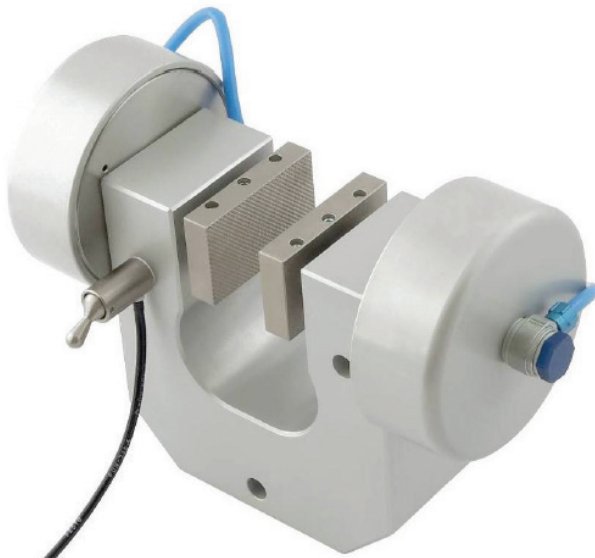
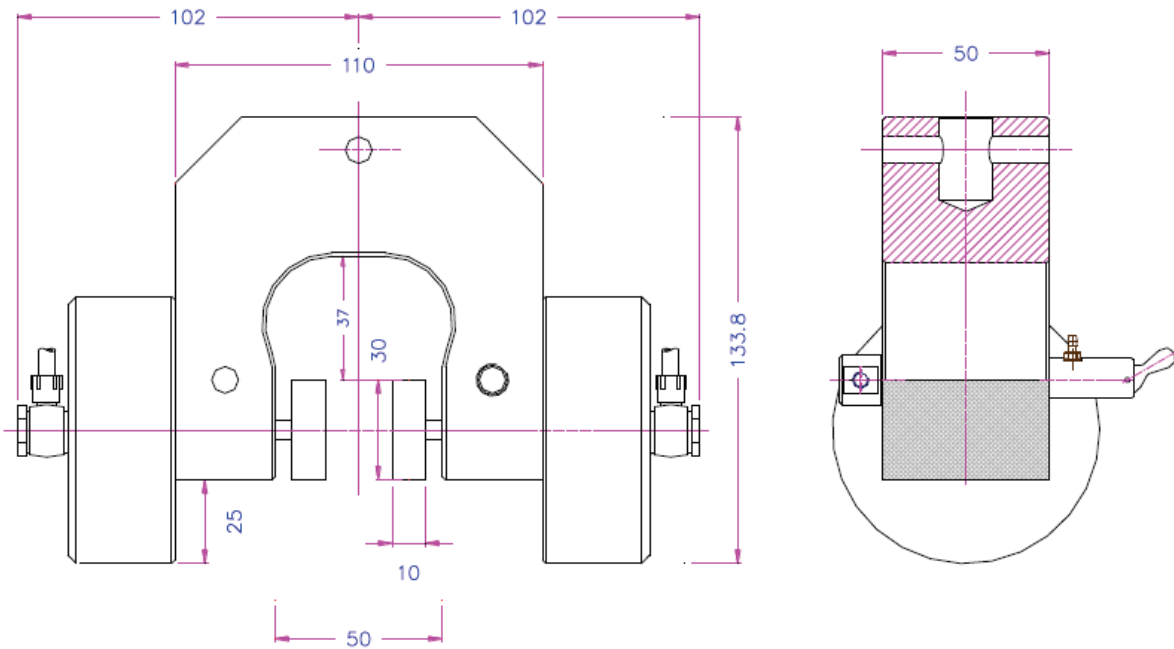
TA062322

thwingalbert.com

# Pneumatic Vise Grips

TA240g+Ko / TA240g+2Ko

TA240g+2Ko with a pneumatic micro hand switch TH205-4. An additional T-piece is needed.



**Thwing-Albert**  
Instrument Company



TA062322

[thwingalbert.com](http://thwingalbert.com)