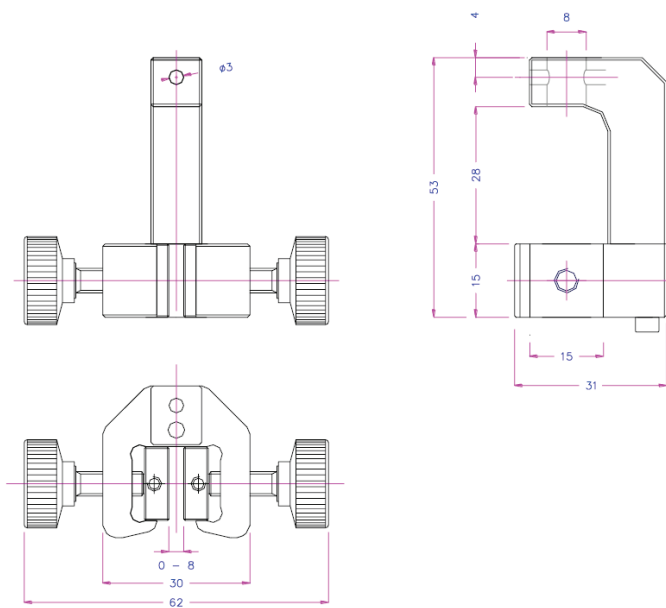


Small Vise Grips

TA140

TA140K Lightweight grips for universal use for small samples.

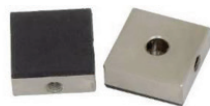
	TA140k
Max. tensile force:	100 N
Jaw clamping surface:	15x15 mm
Jaw opening:	0-8 mm depending on jaw type
Standard coupling:	Af8. Further couplings on request
Body:	Anodized aluminum
Jaws:	Hardened steel 58HRC
Temperature range:	0 ... +70°C Further temperature ranges on request
Weight per grip without jaws:	57 g
Scope of Supply:	1 pari of grips without jaws



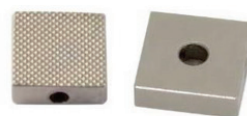
Item no.	Jaws	Clamping surface	Jaw opening	Weight per pair
TA140-B	Blank (smooth)	15x15 mm	0-8 mm	14 g
TA140-BG	Rubber-coated	15x15 mm	0-6 mm	16 g
TA140-BP	Pyramid (serrated)	15x15 mm	0-8 mm	14 g



TA140-B



TA140-BG



TA140-BP



Thwing-Albert
Instrument Company



thwingalbert.com

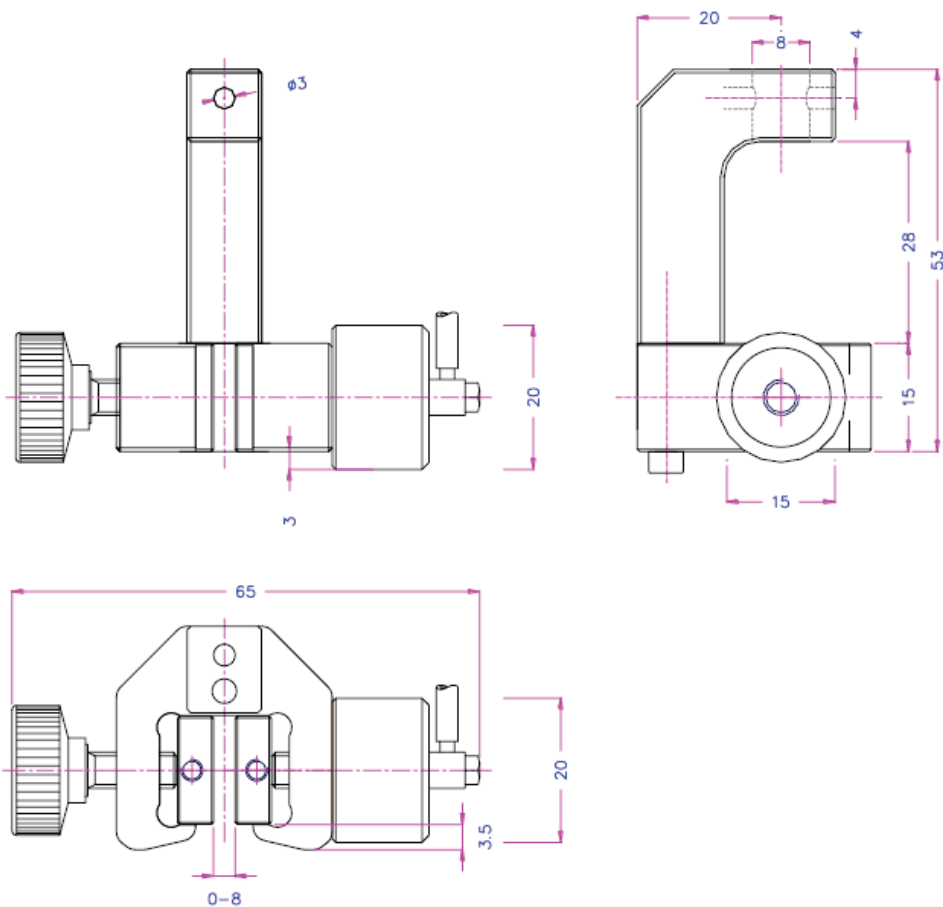
Small Vise Grips

TA140

TA140k+Ko

TA140k+Ko

Max. clamping force:	140 N at 7 bar
Max. tensile force:	70 N (at COF 0.5)
Jaw clamping surface:	15x15 mm
Jaw opening:	0-8 mm depending on jaw type
Standard coupling:	Af8. Further couplings on request
Pneumatic connection:	M3. We supply with a small black tube 2 mm
Body:	Anodized aluminum
Jaws:	Hardened steel 58HRC
Temperature range:	0 ... +70°C Further temperature ranges on request
Weight per grip without jaws:	66 g
Scope of Supply	1 pair of grips without jaws



Thwing-Albert
Instrument Company



thwingalbert.com

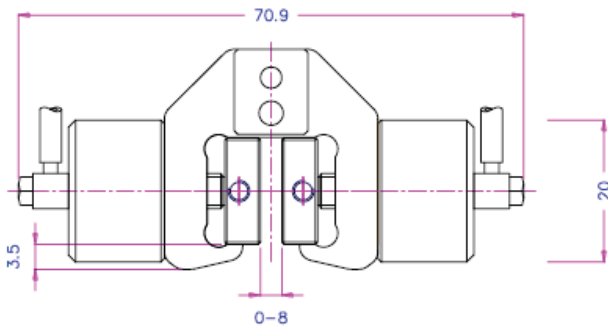
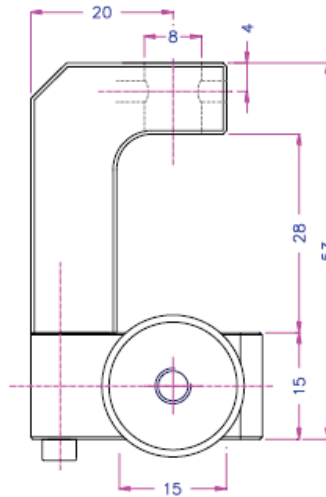
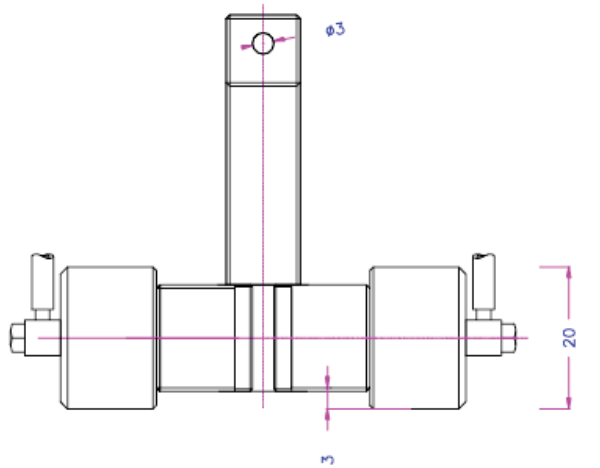
Small Vise Grips

TA140

TA140k+2Ko

TA140k+2Ko

Max. clamping. force:	140 N at 7 bar
Max. tensile force:	70 N (at COF 0.5)
Jaw clamping surface:	15x15 mm
Jaw opening:	0-8 mm depending on jaw type
Standard coupling:	Af8. Further couplings on request
Body:	Anodized aluminum
Jaws:	Hardened steel 58HRC
Temperature range:	0 ... +70°C Further temperature ranges on request
Weight per grip without jaws:	80 g
Scope of Supply:	1 pair of grips without jaws



Thwing-Albert
Instrument Company



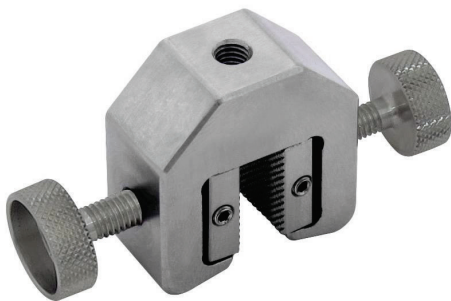
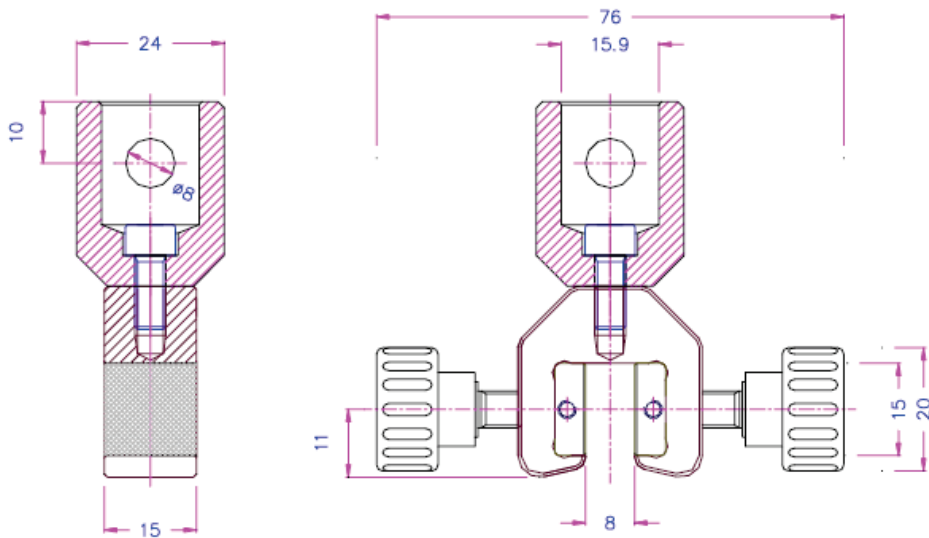
thwingalbert.com

Small Vise Grips

TA140

TA140s

	TA140s
Max. tensile force:	100 N
Jaw clamping surface:	15x15 mm
Jaw opening:	0-8 mm depending on jaw type
Standard coupling:	M5 thread. Further couplings on request
Body:	Anodized aluminum
Jaws:	Hardened steel 58HRC
Temperature range:	0 ... +70°C Further temperature ranges on request
Weight per grip without jaws:	41 g (66 g with Af159 adapter)
Scope of supply:	1 pair of grips without jaws
Weight per grip w/ 2 grub screws without jaws:	33 g



TA140s-A4

Same as TA140s but is a complete stainless steel version, perfect for marine environments.

Temperature range -60° ... 280°C



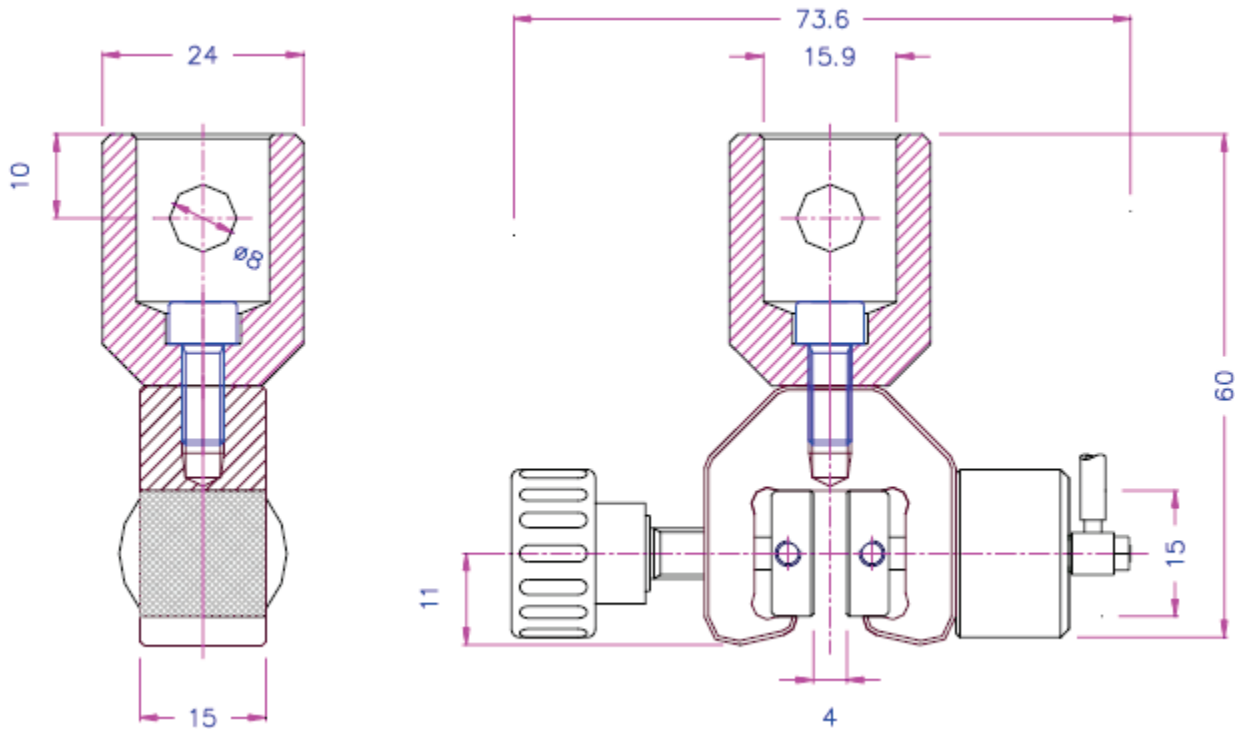
Small Vise Grips

TA140

TA140s+Ko

TH140s+Ko

Max. clamping force:	140 N at 7 bar
Max. tensile force:	70 N (at COF 0.5)
Jaw clamping surface:	15x15 mm
Jaw opening:	0-8 mm depending on jaw type
Standard coupling:	M5 thread Further couplings on request
Body:	Anodized aluminum
Jaws:	Hardened steel 58HRC
Temperature range:	0 ... +70°C Further temperature ranges on request
Weight per grip without jaws:	49 g (75 g with Af159 adapter)
Scope of Supply:	1 pair of grips without jaws



Thwing-Albert
Instrument Company



thwingalbert.com

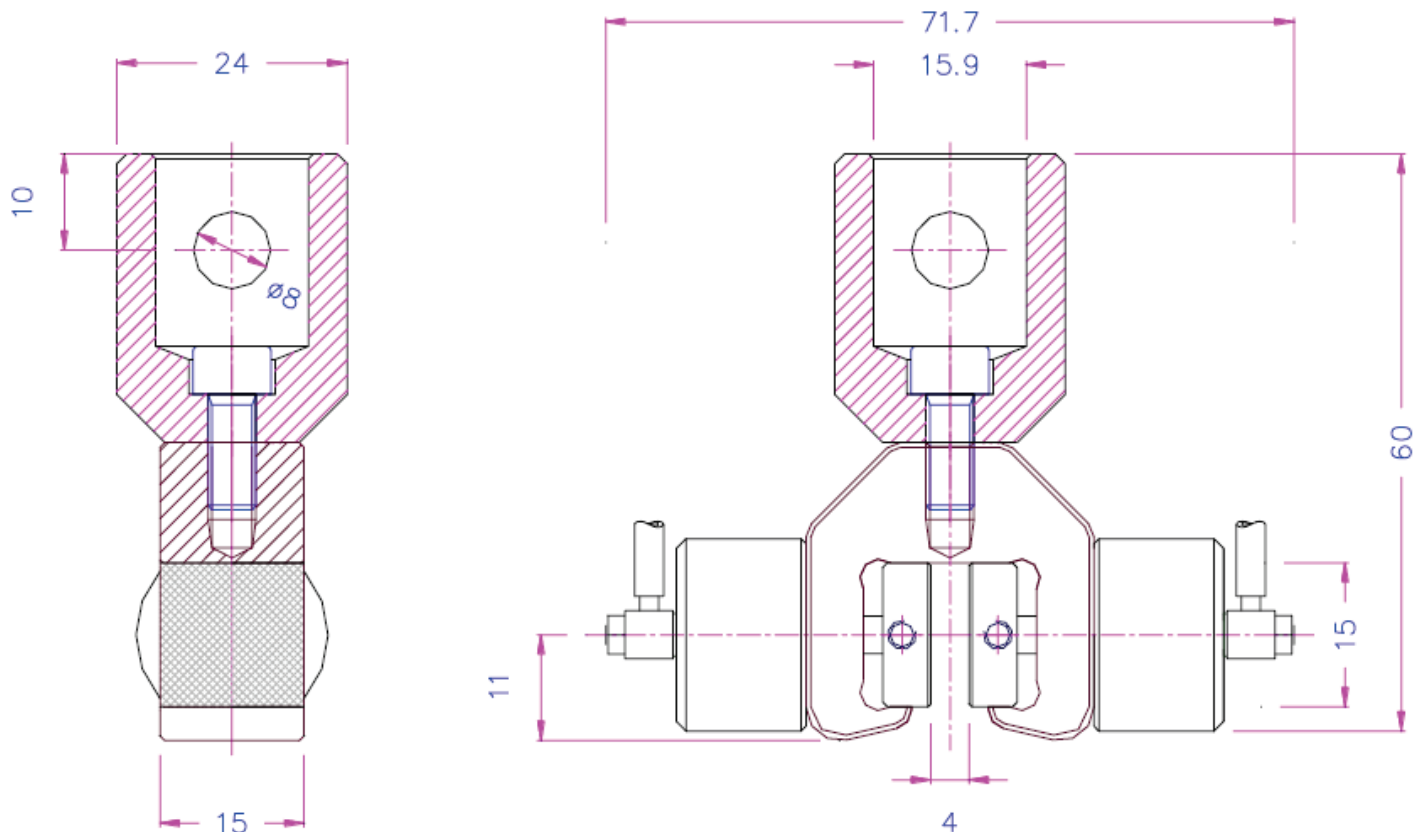
Small Vise Grips

TA140

TA140s+2Ko

TA140s+2Ko

Max. clamping force:	140 N at 7 bar
Max. tensile force:	70 N (at COF 0.5)
Jaw clamping surface:	15x15 mm
Jaw opening:	0-8 mm depending on jaw type
Standard coupling:	M5 thread. Further couplings on request
Body:	Anodized aluminum
Jaws:	Hardened steel 58HRC
Temperature range:	0 ... +70°C Further temperature ranges on request
Weight per grip without jaws:	65 g (90 g with Af159 adapter)
Scope of supply:	1 pair of grips without jaws



Thwing-Albert
Instrument Company



thwingalbert.com