

14 Collings Avenue, West Berlin, NJ 08091

TAS7 Wedge Grip 2 kN

Applicable for smaller samples.

Ordering information

TAS7 grips are supplied as a pair, but can also be ordered separately (0.5 pair).

Grips and jaws need to be ordered separately.

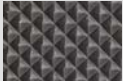

Item No.	TAS7
• Tensile force	2 kN
• Body	Steel, manganese phosphate coated
• Temperature range	0°C up to +130°C Further temperature ranges on request
• Weight	0.9 kg (without jaws)
• Scope of delivery	1 pair (without jaws)

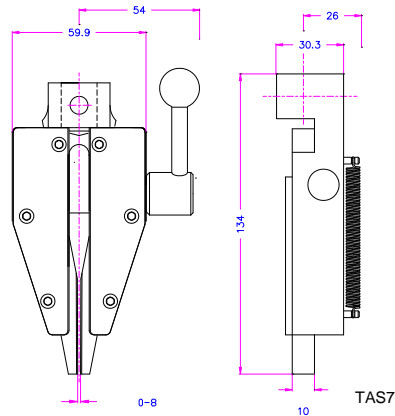


Jaws for TAS7: Scope of delivery 1 set = 4 jaws

Item No.	Surface	Clamping surface H x W	Opening	Weight per pair
TAS7-BP	Pyramid jaws (serrated)	40x10 mm	0 – 10 mm	0.15 kg
TAS7-BV	V-jaws	Clamping height 40 mm	2 – 10 mm Ø	0.15 kg

Further jaw surfaces on request.

	BP: Multi-purpose application range Pyramids (serrated) 0.8x45°, hardened steel
	BV: For all kinds of round samples Tooth pitch 0.8 mm, hardened steel



Similar grips

