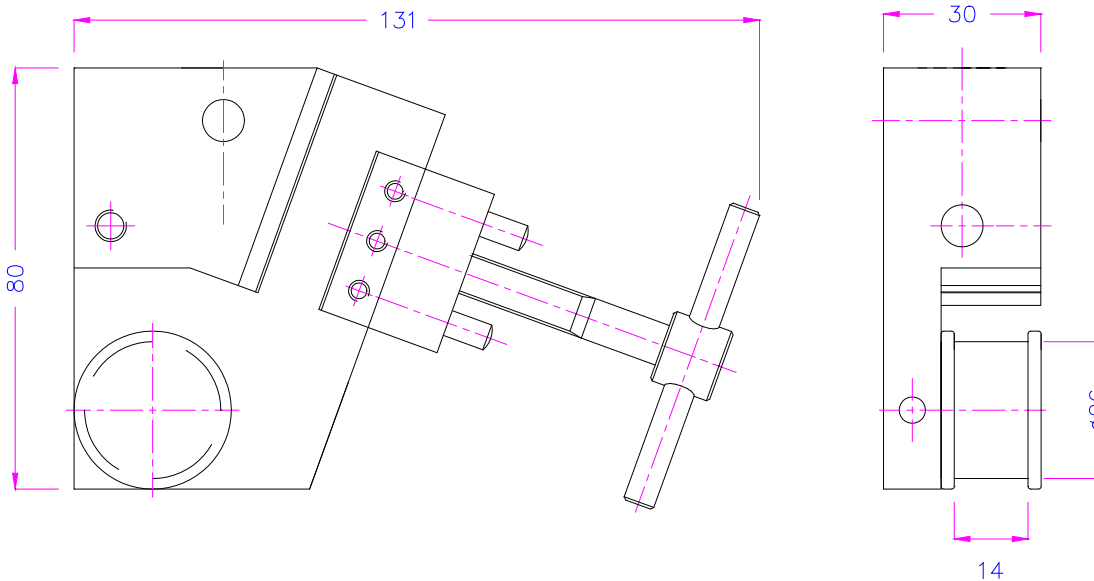
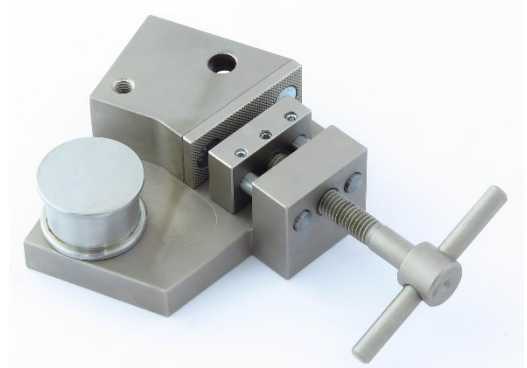


14 Collings Avenue, West Berlin, NJ 08091

TAS255 Rope Grip

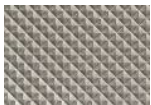
Item number:	TAS255-SK
Max load:	10 kN
Sample Ø:	0-4 mm
Guide roller Ø:	26 mm
Coupling:	Af 15.9 Further couplings on request
Body:	Steel, nickel-plated
Weight:	Ca. 900 gram (incl. jaws)
Temperature range:	0°C ... +70°C. Further temperature ranges on request
Scope of delivery:	1 pair incl. jaws



Jaws for TAS255:

Pyramid (serrated) jaws

- Pyramids 1x45°
- Steel 58 HRC, hardened
- Nickel-plated



Diamond jaws

- Coated with synthetic diamonds
- Nickel-plated



Note: Other jaw surfaces upon request