

14 Collings Avenue, West Berlin, NJ 08091

TA76 Rope and Yarn Grips 1kN, 5 kN and 20kN

TA76 rope grips are applicable (depending on type) for filaments, cords, yarn, fine wires, narrow ribbons and ropes etc.

According to its friction coefficient, the specimen will be twisted one or more times around the guide roller, before being fixed with clamping jaws.

The guide rollers generate a slow notch free stress relief to prevent the breakage of the specimen in the clamping area.

Also as pneumatic version available.



	TA76-1 and TA76-1+BD	TA76-5 and TA76-5+BD	TA76-20
Applicable for	Yarn, filament, narrow ribbons etc	Cord, fine wires, narrow ribbons etc	Ropes, fine wires, narrow ribbons
Tensile force	1kN	5kN	20kN
Ropes / wires max. Ø	2 mm Ø	5 mm Ø	9 mm Ø
Ribbons max. width	7 mm	8 mm	9 mm
Jaw surfaces	Rubber jaws Diamond jaws (BD) Other surfaces on request	Pyramid jaws (0.6x45°), 58HRC Diamond jaws (BD) Other surfaces on request	Pyramid jaws (0.6x45°), 58 HRC Other surfaces on request
Clamping surface HxW	20x10mm	30x12mm	30x15mm
Ø Guide roller	20 mm Ø	40 mm Ø	94 mm Ø
Temperature range*	0 – 70°C*	0 – 180°C*	0 – 180°C*
Body	Aluminum, anodized	Aluminum, anodized	Steel, manganese phosphated
Weight	0.26 kg each grip	0.8 kg each grip	2.7 kg each grip
Ordering information/ Scope of delivery	Article No.TA76-1: 1 pair incl. rubber jaws Article No.TA76-1+BD: 1 pair inclusive diamond jaws	Article No.TA76-5: 1 pair incl. pyramid jaws Article No.TA76-5+BD: 1 pair inclusive diamond jaws	Article No. TA76-20: 1 pair incl. pyramid jaws

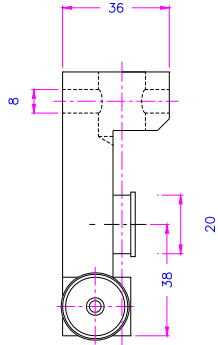
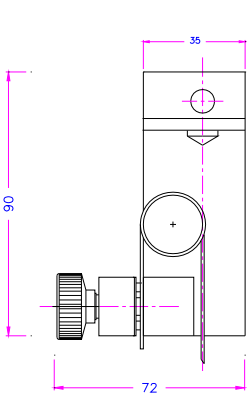
Pneumatic versions of TA76

	TA76-1+Ko and TA76-1+Ko+BD	TA76-5+Ko and TA76-5+Ko+BD
Applicable for	Yarn, filament, narrow ribbons etc	Cord, fine wires, narrow ribbons etc
Tensile force	1 kN	5 kN
Ropes / threads max. Ø	2 mm Ø	5 mm Ø
Ribbons max. width	7 mm	8 mm
Jaw surfaces	Rubber jaws Diamond jaws Other surfaces on request	Pyramid jaws(0.6x45°), 58 HRC Diamond jaws Other surfaces on request
Clamping surface HxW	20x10mm	30x12mm
Ø Guide roller	20 mm Ø	40 mm Ø
Temperature range*	0 – 70°C*	0 – 180°C*
Pneumatic connection	Internal thread M5	Internal thread M5
Body	Aluminum, anodized	Aluminum, anodized
Weight	0.67 kg each (grip with counter weight)	1.27 kg each grip
Ordering information/ Scope of delivery	Article No.TA76-1+Ko: 1 pair incl. rubber jaws Article No.TA76-1+Ko+BD: 1 pair incl. diamond jaws The grips are supplied as a pair incl. 1 grip without and 1 grip with counter weight (upper grip)	Article No.TA76-5+Ko 1 pair incl. pyramid jaws Article No.TA76-5+Ko+BD: 1 pair incl. diamond jaws

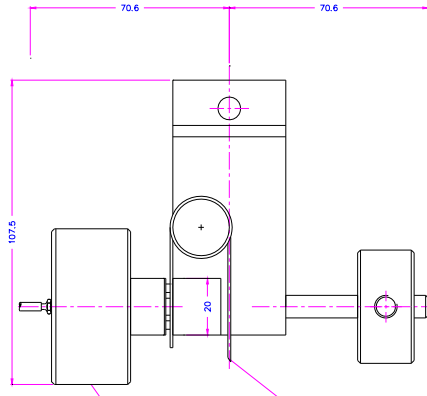


*Other temperature ranges on request

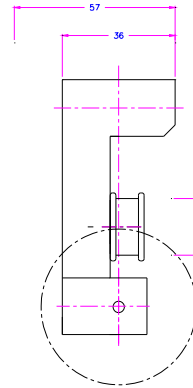
14 Collings Avenue, West Berlin, NJ 08091



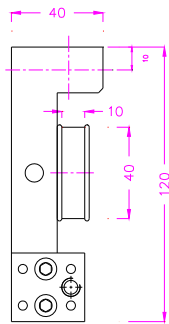
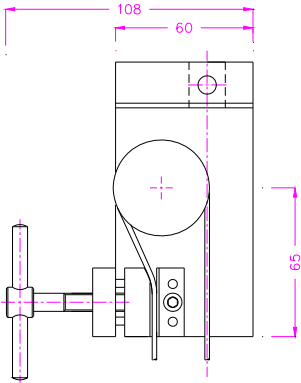
TA76-1



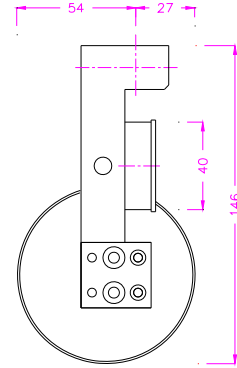
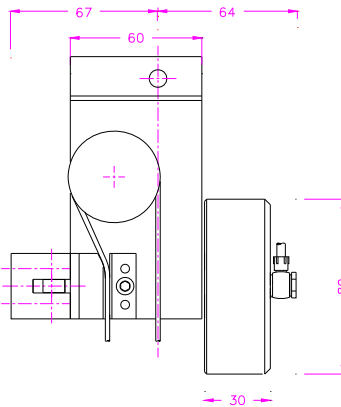
pneumatic Rod with 50 mm ϕ sample



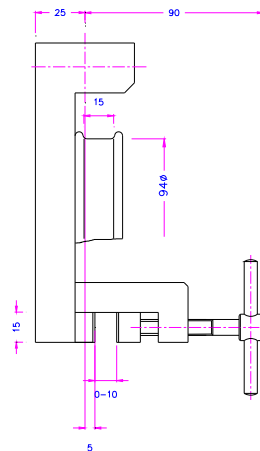
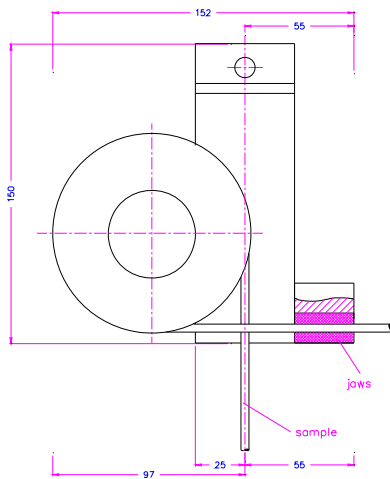
TA76-1+Ko



TA76-5



TA76-5+Ko



TA76-20



TA76-1+Ko



TA76-5 with adapter
TAS464-158-M30x2LH



TA76-20

Examples of special versions



TA76-1-150+BD



TA76-5+Ko-2A
2 couplings and rubber jaws (BG)



TA76-20+Ko