

14 Collings Avenue, West Berlin, NJ 08091

## TH56k Vise Grip

A versatile general-purpose grip for plastics, textiles, paper, metal foil, aluminium, brass etc

Tensile force: 1 kN

Jaws pivot for self alignment

Temperature range: 0°C - +180°C (depending on jaws)  
Additional temperature ranges on request

Body made of aluminium, anodised

Weight per grip: 0.39 kg each with jaws

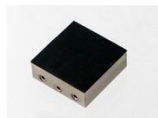
Scope of supply: 1 pair without jaws

Also available as pneumatic version  
(see datasheet TA56k+ko)



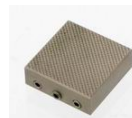
### Blank (smooth) jaws

- Suitable for own further treatments
- Steel-blanks without coating



### Rubber coated jaws

- 1mm rubber coating (NBR)
- Nickel-plated



### Pyramid jaws (serrated, cross cut)

- Pyramids 1.2x45°
- Hardened steel 58HRC
- Nickel-plated



### V-jaws

- For all kinds of round samples
- Tooth pitch 1.2 mm
- Hardened steel 58HRC
- Nickel-plated



### Wave jaws (corrugated)

- For flexible materials
- Wave 5 mm
- Hardened steel 58HRC
- Nickel-plated



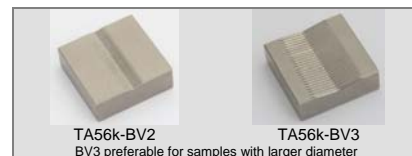
### Diamond coated jaws

- Clamping surface coated with synthetic diamonds D91 (170/200 mesh)
- Nickel-plated

**Jaws for TA56k:** Scope of supply 1 Set = 4 jaws

Item no.	Surface	Clamping surface H x W	Opening	Weight 1 pair
TA56k-B	Blank jaws	30 x 30mm	0 – 10 mm	0.13 kg
TA56k-BG	Rubber coated jaws	30 x 30mm	0 – 8 mm	0.13 kg
TA56k-BP	Pyramid jaws	30 x 30mm	0 – 10 mm	0.12 kg
TA56k-BV2	V-jaws	30 x 30 mm	2 – 10 mm Ø	0.13 kg
TA56k-BV3	V-jaws	30 x 30 mm	3 – 10 mm Ø	0.13 kg
TA56k-BW	Wave jaws	30 x 30mm	0 – 10 mm	0.12 kg
TA56k-BD	Diamond coated jaws	30 x 30mm	0 – 10 mm	0.13kg

Jaws with other dimensions and surface coatings on request



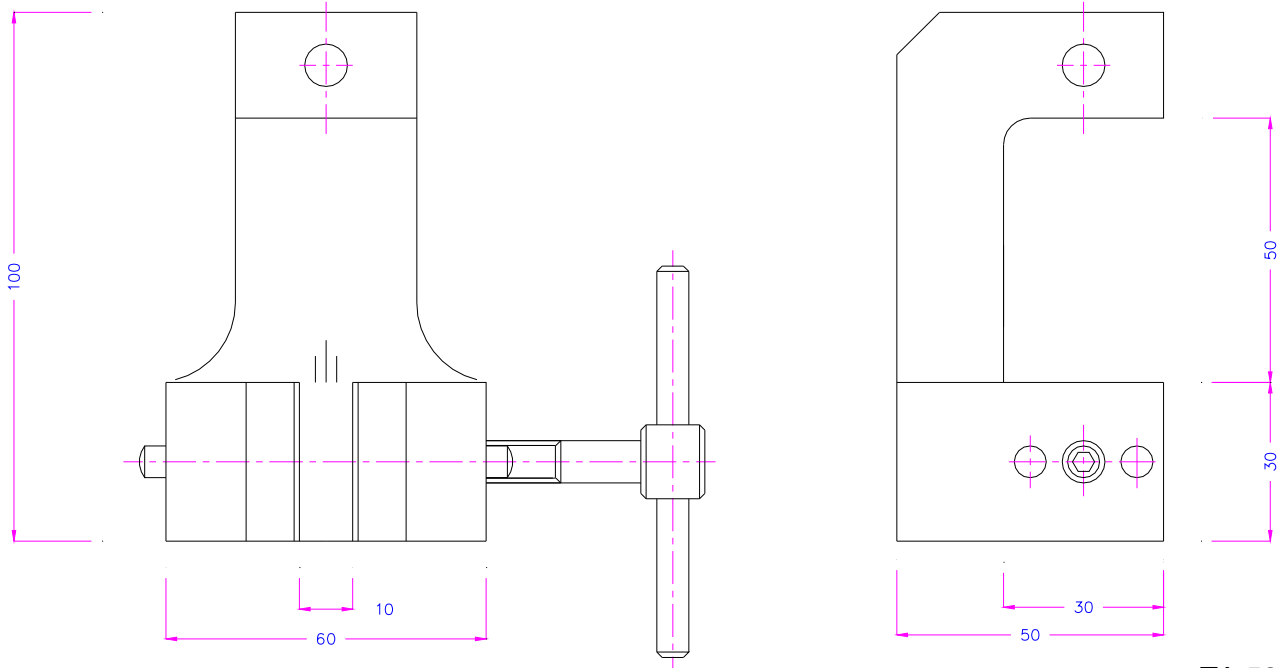
**Inset jaws for TA56k:** Scope of supply 1 Set = 4 jaws

Quick change system, Inset jaws require carriers (TA56k-GT..)

Item no.	Surface	Clamping surface H x W	Opening	Weight 1 pair
TA56k-GT	Carrier	-	-	0.12 kg
TA56k-EB	Blank inset jaws	30 x 36mm	0-4mm	0.06 kg
TA56k-EBG	Rubber inset jaws	30 x 36mm	0-2mm	0.06 kg
TA56k-EBP	Pyramid inset jaws	30 x 36mm	0-4mm	0.05 kg
TA56k-EBD	Diamond inset jaws	30 x 36mm	0-4mm	0.06 kg

Jaws with other dimensions and surface coatings on request





TA 56-k