

14 Collings Avenue, West Berlin, NJ 08091

TA243 Wedge Grips 20kN and 50kN

Multipurpose, self-tightening grips.

Suitable for metal or plastic specimens (with medium strength) etc.

Easy to use: The grips feature a lever arm for quick loading and releasing of the samples.

The wedge-shaped design of the jaws causes the clamping force to increase, as tension is applied during the test.



Item No.	TA243-20	TA243-50
Tensile force	20 kN	50 kN
Temperature range	0°C - +130°C (TA243-20) -70°C - +280°C (TA243-20-Ni) -70°C - +280°C (TA243-20+TK Option)	0°C - +130°C (TA243-50) -70°C - +280°C (TA243-50-Ni) -70°C - +280°C (TA243-50+TK Option)
Body	Steel, phosphate coated (TA243-20) Steel, nickel plated (TA243-20-Ni)	Steel, phosphate coated (TA243-50) Steel, nickel plated (TA243-50-Ni)
Weight	3.8 kg each grip (without jaws)	6.75 kg each grip (without jaws)



TA243-20-Ni

Wedge jaws for TA243 grips: scope of delivery 1 set = 4 jaws

Item No.	Surface	Clamping surface H x W	Opening	Weight per pair
TA243-BP	Pyramid (serrated) jaws	50 x 35mm	0 – 13mm	0.48 kg
TA243-BP16	Pyramid (serrated) jaws	50 x 35mm	4 – 16mm	0.41 kg
TA243-BV	V-jaws	Clamping height 50mm	3 – 13mm Ø	0.46 kg
TA243-BV16	V-jaws	Clamping height 50mm	4 – 16mm Ø	0.41 kg

Jaws with other dimensions and surface coatings on request



TA243-BP Pyramid jaws

- Hardened steel 58 HRC
- Pyramids 1.2 x 45°

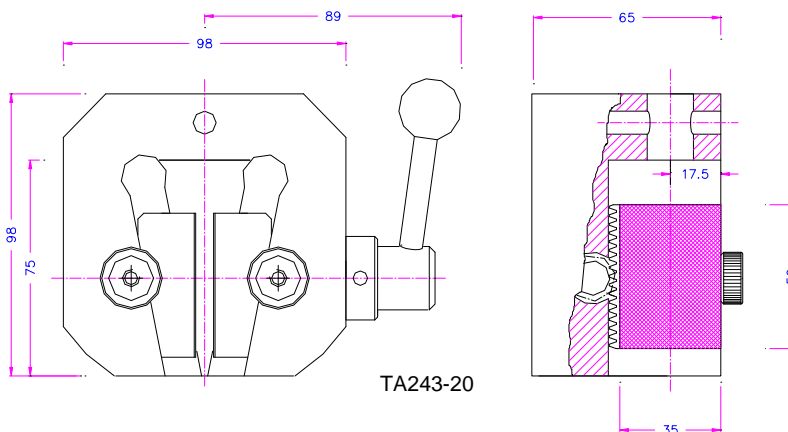


TA243-BV -V-jaws

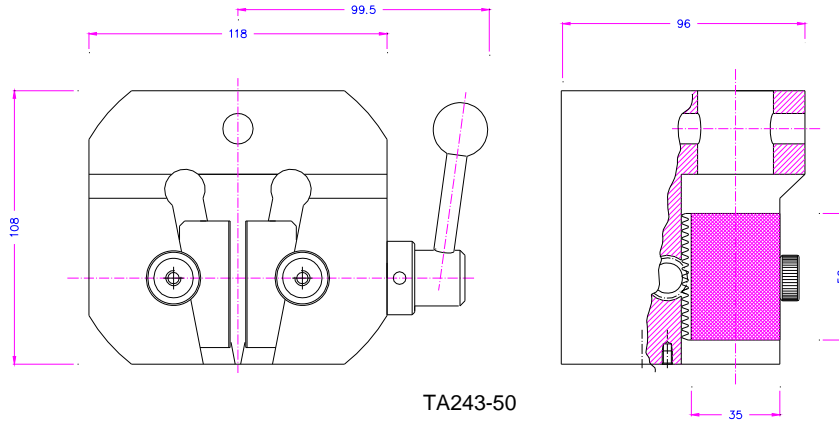
- For all kinds of round samples
- Hardened steel 58 HRC
- Tooth pitch 1.2 mm



TA243-20+TK Option
(for TA243-20 and TA243-50)



14 Collings Avenue, West Berlin, NJ 08091



TA243-50

Examples of other versions and custom built solutions:



TA243-BP2x45: For thick and soft samples, wood samples, glass reinforced plastics etc

TA243-BV30: Special jaws for round samples 30mm Ø

TA243-20-107SK: custom design, smaller body, internal thread coupling

Ordering information

TA243 grips are supplied as a pair, but can also be ordered separately (0.5 pair). Grips and jaws need to be ordered separately.