

14 Collings Avenue, West Berlin, NJ 08091

**TA170-50 Capstan Rope Grip
50kN**

TA170 grips are applicable for ropes and ribbons up to 50kN.

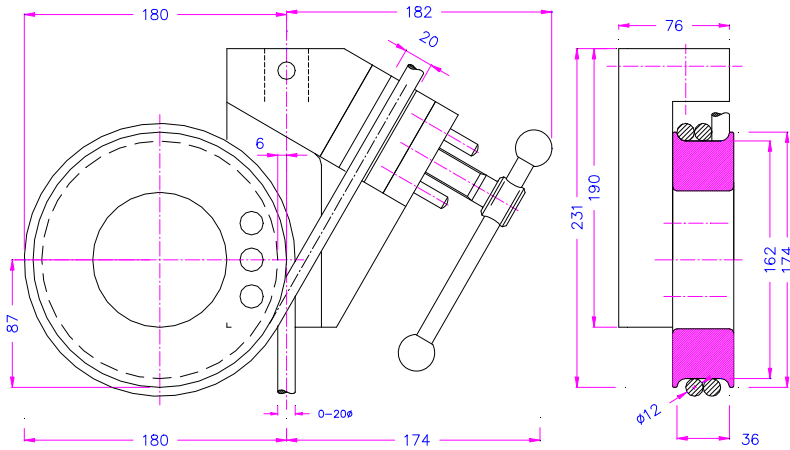
According to its friction coefficient, the specimen will be twisted one or more times around the guide roller, before being fixed with clamping jaws.

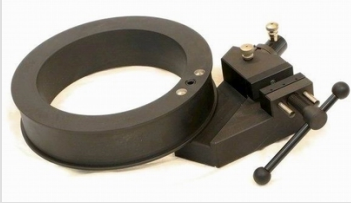
The guide rollers generate a slow notch free stress relief to prevent the breakage of the specimen in the clamping area.

- Other available versions:
- Modified diameter of the guide roller
 - 100kN, 150kN, 200kN versions
 - Hydraulic versions



	TA170-50
Applicable for	Ropes, ribbons up to 50kN
Tensile force	50 kN
Recommended rope diameter	5 – 20 mm Ø
Ribbons maximal width	12 mm
Minimal specimen length	1500 mm
Jaws surfaces	Pyramid jaws, 1.2 x 45°, 58HRC Other surfaces on request
Jaws clamping surface HxW	70x30 mm
Ø Guide roller	162 mm Ø
Temperature range*	0°C – 130°C Other temperature ranges on request
Body	Steel, manganese phosphate coating
Weight	13.9 kg each grip
Ordering information/ Scope of delivery	1 pair of rope grips incl. pyramid jaws





TA170-50-D296-B60
Guide roller diameter 296 mm, width 60 mm



TA170-100+Ko
100 kN version, hydraulic



TA170-100
100kN version



TA170-150+Ko
150kN version, hydraulic



TA170-250+Ko
250 kN version, hydraulic



TA170-50 BP0.5x45
Special jaws small pyramids (serrated)